



**COOLUMA**

**Foshan Nenwell Import&Export Trading Co.,Ltd.**

Add:RM601,Bldg A5,Tianan Digital City,No.1 Jianpian Rd.,

Nanhai Guicheng,Foshan,Guangdong,China.

(Tel):+86-757-85856069

E-mail:info@double-circle.com/Wesli@Cooluma.com

Website:www.cooluma.com

**COOLUMA**

**ICE CREAM CABINET**

www.cooluma.com



STRAIGHT GLASS SERIES  
**01-06**



CURVED GLASS SERIES  
**07-12**



FRONT OPEN SERIES  
**13**



SINGLE ROW SERIES  
**14-16**



CURVED GLASS SERIES  
**17**




DESK-TOP SERIES  
**18-22**




GELATO PAN SERIES  
**23**

# STRAIGHT GLASS SERIES



 Stable temp control

 Tempered glass with heater

 Stainless steel

 Natural LED light

 Copper evaporators & condensers

## GF SERIES









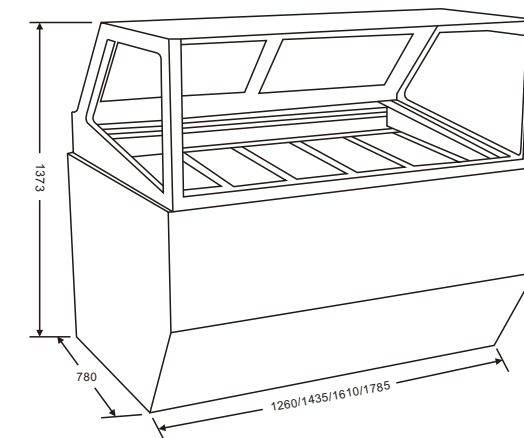
GF - V6



GFB - V6



-  Ice cream bucket compatible
-  Natural LED light
-  Digital control system
-  High-performance refrigeration
-  Tempered glass with heater
-  5L pans(GN1/3pan optional)



Model	Temp (°C)	Dimension(mm)	Capacity(L)	Pan(5L)	Cooling System
GF-V6 / GFB-V6	-18~-22	1260x780x1373	315	6	Ventilated
GF-V7 / GFB-V7	-18~-22	1435x780x1373	375	7	Ventilated
GF-V8 / GFB-V8	-18~-22	1610x780x1373	435	8	Ventilated
GF-V9 / GFB-V9	-18~-22	1785x780x1373	495	9	Ventilated

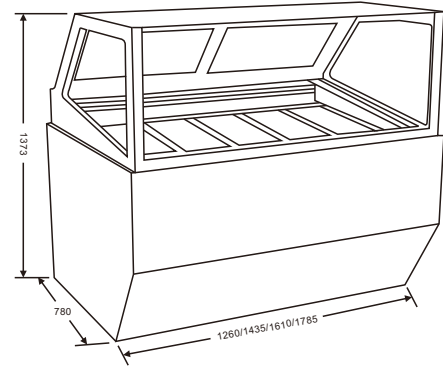
# GF SERIES


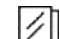


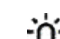



GF - V12



GFB - V12



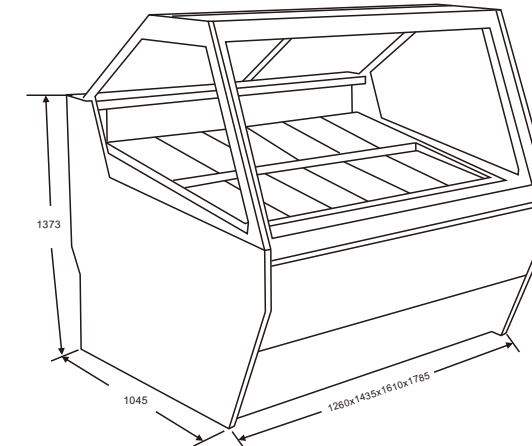
-  Ice cream bucket compatible
-  Natural LED light
-  Digital control system
-  High-performance refrigeration
-  Tempered glass with heater
-  5L pans(GN1/3pan optional)

Model	Temp (°C)	Dimension(mm)	Capacity(L)	Pan(5L)	Cooling System
GF-V12 / GFB-V12	-18~-22	1260x1045x1373	555	12	Ventilated
GF-V14 / GFB-V14	-18~-22	1435x1045x1373	615	14	Ventilated
GF-V16 / GFB-V16	-18~-22	1610x1045x1373	675	16	Ventilated
GF-V18 / GFB-V18	-18~-22	1785x1045x1373	735	18	Ventilated

# TM SERIES



TM18SH

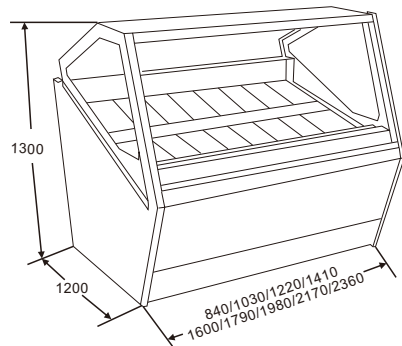


Model	Temp (°C)	Dimension(mm)	Capacity(L)	Pan(5L)	Cooling System
TM8SH	-18~-22	966x1095x1300	210	8	Ventilated
TM12SH	-18~-22	1233x1095x1300	290	12	Ventilated
TM16SH	-18~-22	1563x1095x1300	390	16	Ventilated
TM18SH	-18~-22	1728x1095x1300	440	18	Ventilated

# QP SERIES



QP16

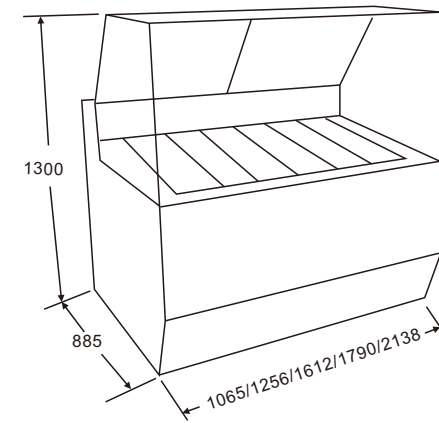


Model	Temp (°C)	Dimension(mm)	Capacity(L)	Pan(5L)	Cooling System
QP8	-18~-22	840x1200x1300	255	8	Embraco/Danfoss
QP10	-18~-22	1030x1200x1300	315	10	Embraco/Danfoss
QP12	-18~-22	1220x1200x1300	375	12	Embraco/Danfoss
QP14	-18~-22	1410x1200x1300	435	14	Embraco/Danfoss
QP16	-18~-22	1600x1200x1300	495	16	Embraco/Danfoss
QP18	-18~-22	1790x1200x1300	555	18	Embraco/Danfoss
QP20	-18~-22	1980x1200x1300	615	20	Embraco/Danfoss
QP22	-18~-22	2170x1200x1300	675	22	Embraco/Danfoss
QP24	-18~-22	2360x1200x1300	735	24	Embraco/Danfoss

# RT SERIES



RT10

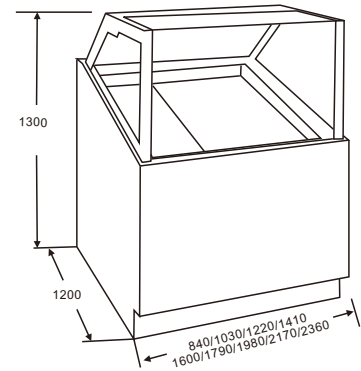


Model	Temp (°C)	Dimension(mm)	Capacity(L)	Pan(5L)	Cooling System
RT10	-18~-22	1065x885x1300	255	10	Ventilated
RT12	-18~-22	1256x885x1300	280	12	Ventilated
RT16	-18~-22	1612x885x1300	315	16	Ventilated
RT18	-18~-22	1790x885x1300	336	18	Ventilated
RT22	-18~-22	2138x885x1300	389	22	Ventilated

# IF SERIES



IF10



Model	Temp (°C)	Dimension(mm)	Capacity(L)	Pan(5L)	Cooling System
IF10	-18~-22	1050x1060x1350	315	10	Embraco/Danfoss
IF12	-18~-22	1220x1060x1350	375	12	Embraco/Danfoss
IF14	-18~-22	1390x1060x1350	435	14	Embraco/Danfoss
IF16	-18~-22	1560x1060x1350	495	16	Embraco/Danfoss
IF18	-18~-22	1730x1060x1350	555	18	Embraco/Danfoss
IF20	-18~-22	1900x1060x1350	615	20	Embraco/Danfoss
IF22	-18~-22	2070x1060x1350	675	22	Embraco/Danfoss
IF24	-18~-22	2240x1060x1350	735	24	Embraco/Danfoss

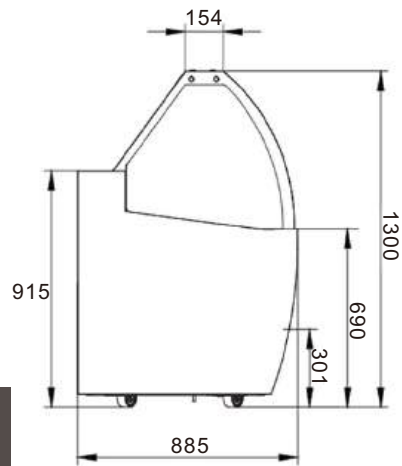


# CURVED GLASS SERIES

# PT SERIES



PT10

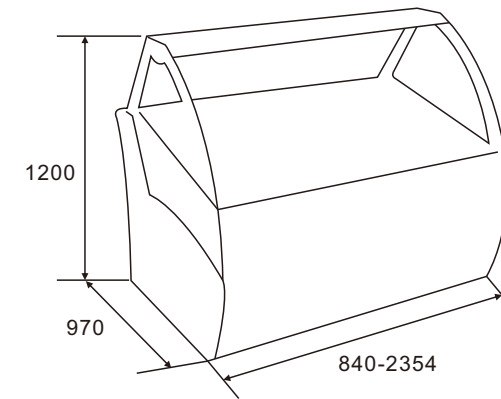
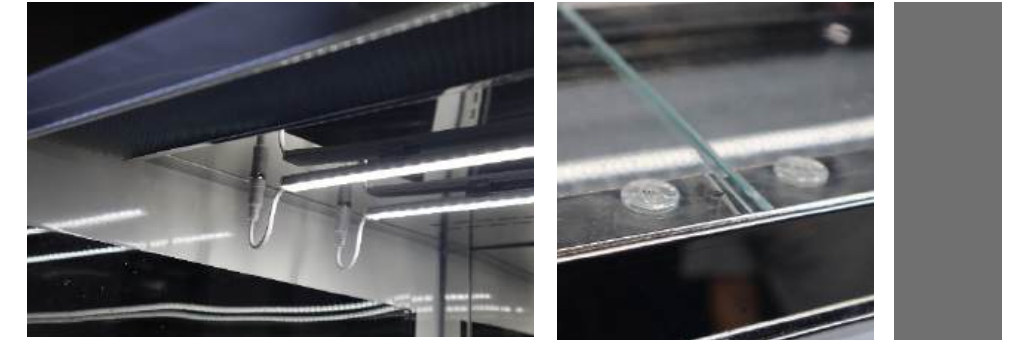


Model	Temp (°C)	Dimension(mm)	Capacity(L)	Pan(5L)	Cooling System
PT10	-18~-22	1056x885x1300	205	10	Ventilated
PT12	-18~-22	1256x885x1300	285	12	Ventilated
PT16	-18~-22	1612x885x1300	315	16	Ventilated
PT18	-18~-22	1790x885x1300	336	18	Ventilated
PT22	-18~-22	2138x885x1300	489	22	Ventilated

# QD SERIES



QD12

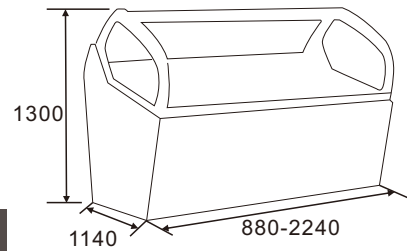


Model	Temp (°C)	Dimension(mm)	Capacity(L)	Pan(5L)	Cooling System
QD8	-18~-22	834x970x1220	255	8	Embraco/Danfoss
QD10	-18~-22	1024x970x1220	285	10	Embraco/Danfoss
QD12	-18~-22	1214x970x1220	345	12	Embraco/Danfoss
QD14	-18~-22	1404x970x1220	405	14	Embraco/Danfoss
QD16	-18~-22	1594x970x1220	465	16	Embraco/Danfoss
QD18	-18~-22	1784x970x1220	525	18	Embraco/Danfoss
QD20	-18~-22	1974x970x1220	585	20	Embraco/Danfoss
QD22	-18~-22	2164x970x1220	645	22	Embraco/Danfoss
QD24	-18~-22	2354x970x1220	705	24	Embraco/Danfoss

## QV SERIES



QV20

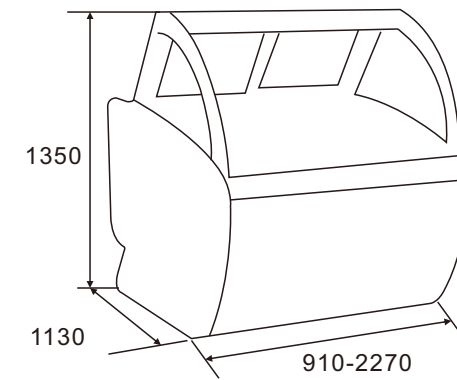


Model	Temp (°C)	Dimension(mm)	Capacity(L)	Pan(5L)	Cooling System
QV8	-18~-22	880x1140x1300	247	8	Embraco/Danfoss
QV10	-18~-22	1050x1140x1300	307	10	Embraco/Danfoss
QV12	-18~-22	1220x1140x1300	345	12	Embraco/Danfoss
QV14	-18~-22	1390x1140x1300	405	14	Embraco/Danfoss
QV16	-18~-22	1560x1140x1300	465	16	Embraco/Danfoss
QV18	-18~-22	1730x1140x1300	525	18	Embraco/Danfoss
QV20	-18~-22	1900x1140x1300	585	20	Embraco/Danfoss
QV22	-18~-22	2070x1140x1300	645	22	Embraco/Danfoss
QV24	-18~-22	2240x1140x1300	705	24	Embraco/Danfoss

## QS SERIES



QS12

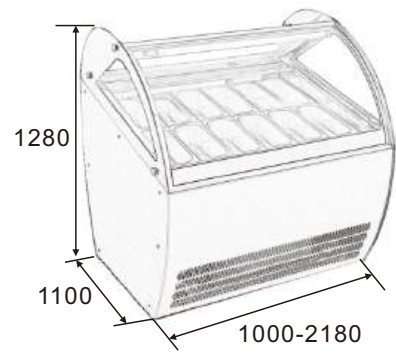


Model	Temp (°C)	Dimension(mm)	Capacity(L)	Pan(5L)	Cooling System
QS8	-18~-22	910x1130x1350	247	8	Embraco/Danfoss
QS10	-18~-22	1080x1130x1350	300	10	Embraco/Danfoss
QS14	-18~-22	1250x1130x1350	360	12	Embraco/Danfoss
QS14	-18~-22	1420x1130x1350	420	14	Embraco/Danfoss
QS16	-18~-22	1590x1130x1350	480	16	Embraco/Danfoss
QS18	-18~-22	1760x1130x1350	540	18	Embraco/Danfoss
QS20	-18~-22	1930x1130x1350	600	20	Embraco/Danfoss
QS22	-18~-22	2100x1130x1350	660	22	Embraco/Danfoss
QS24	-18~-22	2270x1130x1350	720	24	Embraco/Danfoss

# IW SERIES



IW10

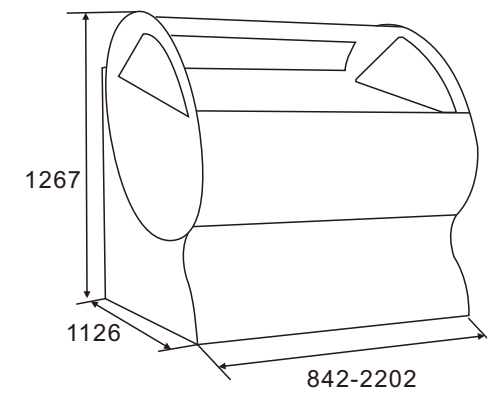


Model	Temp (°C)	Dimension(mm)	Capacity(L)	Pan(5L)	Cooling System
IW10	-18~-22	1000x1100x1280	340	10	Embraco/Danfoss
IW12	-18~-22	1170x1100x1280	400	12	Embraco/Danfoss
IW14	-18~-22	1340x1100x1280	460	14	Embraco/Danfoss
IW16	-18~-22	1510x1100x1280	520	16	Embraco/Danfoss
IW18	-18~-22	1680x1100x1280	580	18	Embraco/Danfoss
IW20	-18~-22	1840x1100x1280	640	20	Embraco/Danfoss
IW22	-18~-22	2010x1100x1280	700	22	Embraco/Danfoss
IW24	-18~-22	2180x1100x1280	760	24	Embraco/Danfoss

# QW SERIES



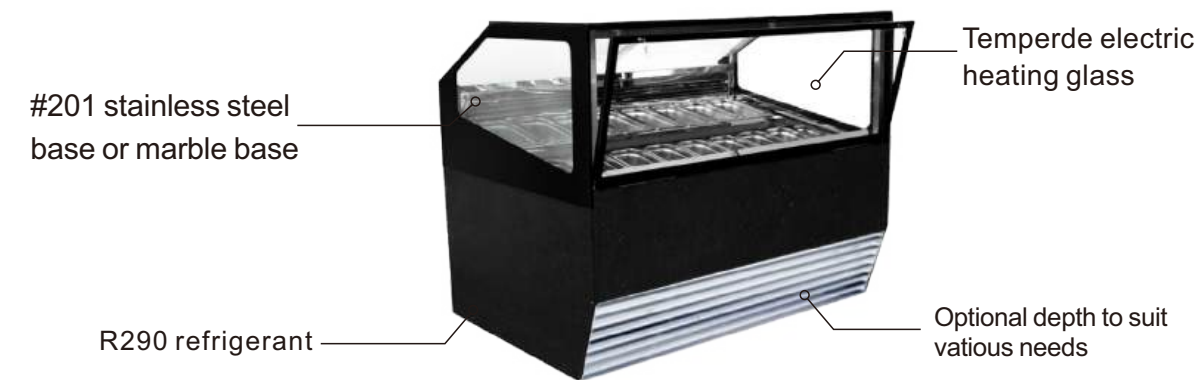
QW8



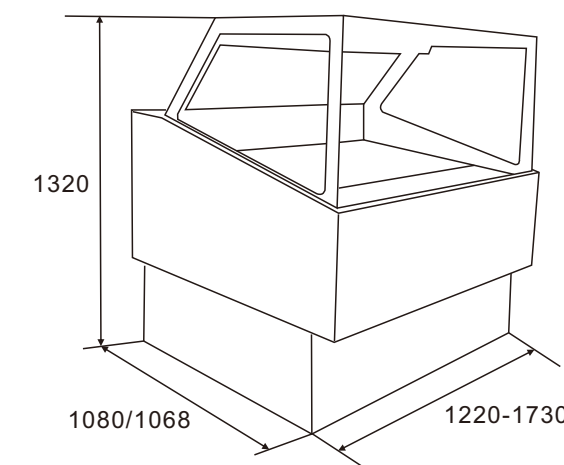
Model	Temp (°C)	Dimension(mm)	Capacity(L)	Pan(5L)	Cooling System
QW8	-18~-22	842x1126x1267	255	8	Embraco/Danfoss
QW10	-18~-22	1012x1126x1267	315	10	Embraco/Danfoss
QW12	-18~-22	1182x1126x1267	375	12	Embraco/Danfoss
QW14	-18~-22	1352x1126x1267	435	14	Embraco/Danfoss
QW16	-18~-22	1522x1126x1267	495	16	Embraco/Danfoss
QW18	-18~-22	1692x1126x1267	555	18	Embraco/Danfoss
QW20	-18~-22	1862x1126x1267	615	20	Embraco/Danfoss
QW22	-18~-22	2032x1126x1267	675	22	Embraco/Danfoss
QW24	-18~-22	2202x1126x1267	735	24	Embraco/Danfoss



# FRONT OPEN SERIES



## IS SERIES



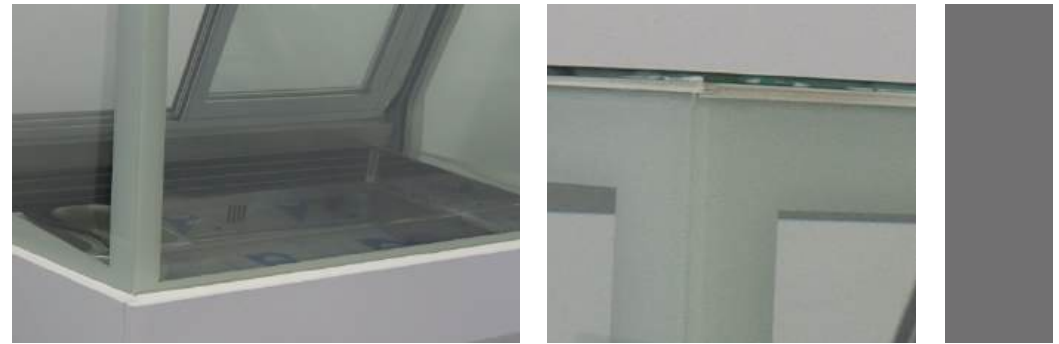
Model	Temp (°C)	Dimension(mm)	Capacity(L)	Pan(5L)	Power(W)
ISA-1200	-16~-20	1220x1080x1320	380	12	1300
ISA-1500	-16~-20	1570x1080x1320	480	16	1450
ISA-1800	-16~-20	1920x1080x1320	600	20	1800
ISB-1200	-16~-20	1130x1068x1250	280	12	1000
ISB-1500	-16~-20	1430x1068x1250	380	16	1137
ISB-1800	-16~-20	1730x1068x1250	480	20	1516



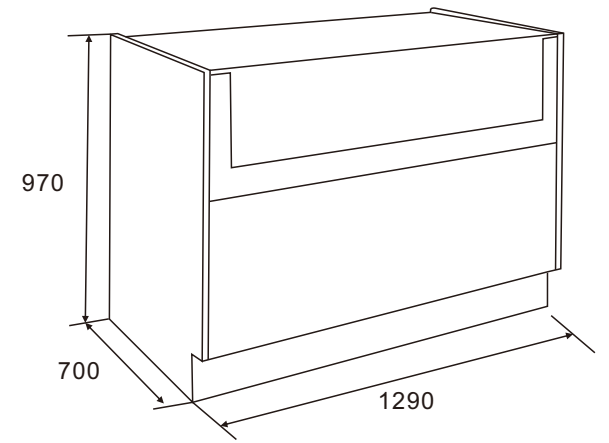
# SINGLE ROW SERIES



GLS6



## GLS SERIES



Model	Temp (°C)	Dimension(mm)	Capacity(L)	Cooling System
GLS6	-18~-22	1290x700x970	255	Ventilated

## QN SERIES



QN10

Model	Temp (°C)	Dimension(mm)	Capacity(L)	Pan(5L)	Cooling System
QN6	-18~-22	1232x775x1290	177	6	Embraco/Danfoss
QN7	-18~-22	1403x775x1290	204	7	Embraco/Danfoss
QN8	-18~-22	1573x775x1290	231	8	Embraco/Danfoss
QN9	-18~-22	1742x775x1290	258	9	Embraco/Danfoss
QN10	-18~-22	1912x775x1290	285	10	Embraco/Danfoss
QN11	-18~-22	2082x775x1290	313	11	Embraco/Danfoss
QN12	-18~-22	2252x775x1290	340	12	Embraco/Danfoss

## IZ SERIES



IZ



Model	Temp (°C)	Dimension(mm)	Capacity(L)	Pan(5L)
IZ	-18~-22	1000x650x1200	84	5



# COUNTERTOP GELATO SHOWCASE SERIES

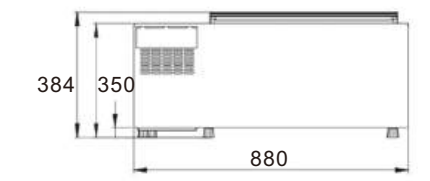
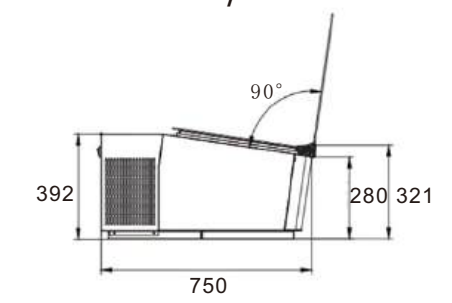
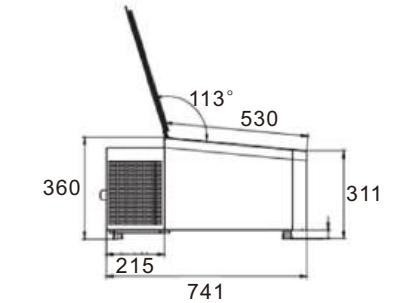
## COUNTERTOP GELATO SHOWCASE



STA02

STA03B/F

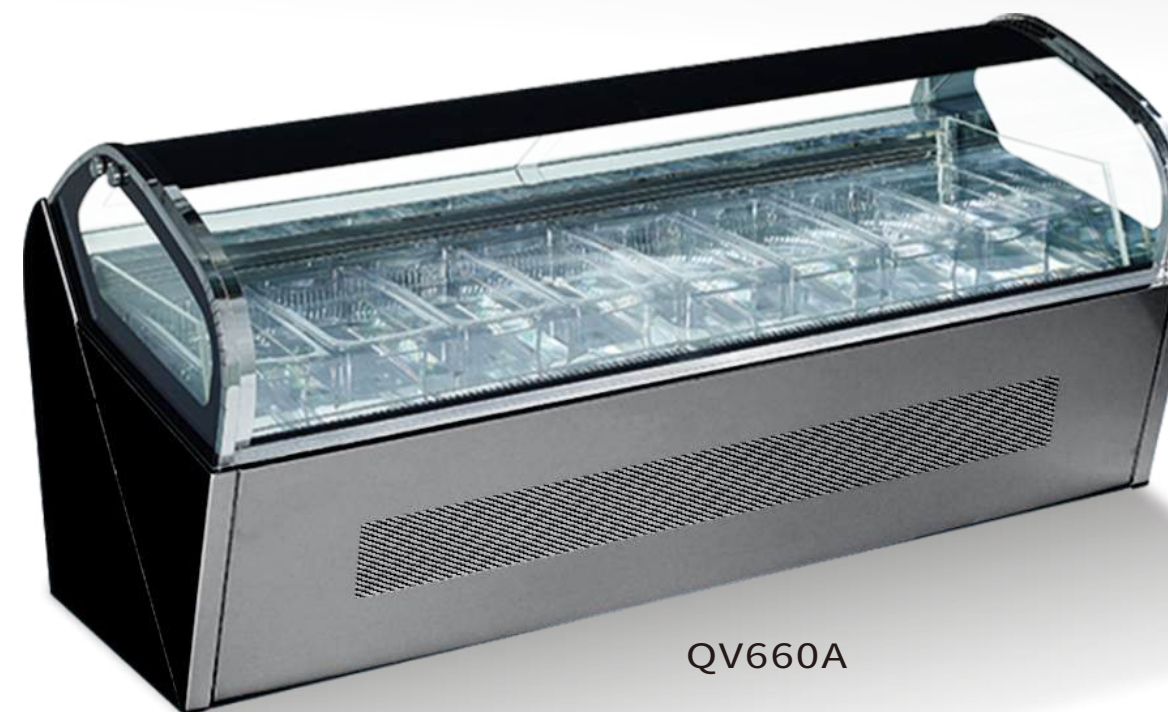
STA03C



Model	Temp (°C)	Dimension(mm)	Cooling System
STA02	-16~-18	461x741x360	Static
STA03B/F	-16~-18	670x750x392	Static
STA03C	-16~-18	590x880x384	Static








## DESK-TOP SERIES



QV660A

## QV SERIES



-  High-performance refrigeration
-  Digital control system
-  Natural lighting
-  Tempered glass with heater
-  Standard GN1/3 pans

Model	Temp (°C)	Dimension(mm)	Capacity(L)	Pans(GN)	Compressor
QV660A	-18~-22	1220x680x740	160	6	Embraco/Danfoss
QV670A	-18~-22	1400x680x740	185	7	Embraco/Danfoss
QV680A	-18~-22	1580x680x740	210	8	Embraco/Danfoss
QV690A	-18~-22	1760x680x740	235	9	Embraco/Danfoss

## DESKTOP GELATO



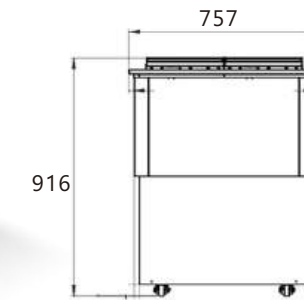
G530A

Model	Temp (°C)	Dimension(mm)	Capacity(L)	Pan(5L)	Cooling System
G530A	-18~-22	1070x550x810	141	5	Embraco/Danfoss
G540A	-18~-22	1250x550x810	165	6	Embraco/Danfoss
G550A	-18~-22	1430x550x810	190	7	Embraco/Danfoss

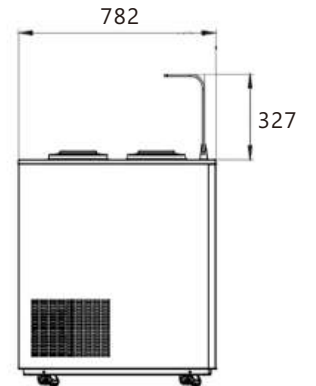
## GELATO SHOWCASE



STA04BT2



STA04PT



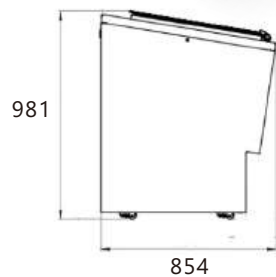
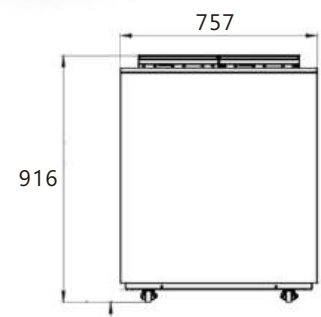
Model	Temp (°C)	Dimension(mm)	Cooling system	Refrigerant
STA04BT2	-16~-18	757x782x916	Static	R404A
STA06BT3	-16~-18	1068x782x916	Static	R404A
STA04PT	-16~-18	757x782x1197	Static	R404A
STA06PT	-16~-18	1068x782x916	Static	R404A

# GELATO SHOWCASE



STA04PB2

STA04XB

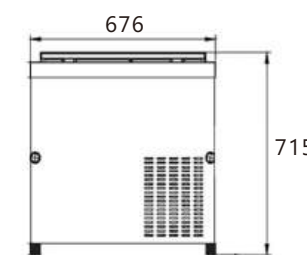


Model	Temp (°C)	Dimension(mm)	Net Weight	Volume(L)	Cooling system	Refrigerant
STA04PB2	-16~-18	757*782*916	60	113	Static	R404A
STA06PB3	-16~-18	757*854*981	80	172	Static	R404A
STA04XB	-16~-18	757*854*981	62	113	Static	R404A

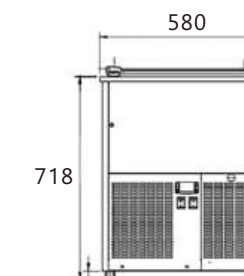
# BT SERIES



STA03BT



STA03BTL



Model	Temp (°C)	Dimension(mm)	Net Weight	Capacity	Cooling system	Refrigerant
STA03BT	-16~-18	675x590x715	58	55	Static	R404A
STA03BTL	-16~-18	580x715x718	48	55	Static	R404A



# GELATO PAN SERIES



## GELATO PAN



WHOO3P






WHOO4P



WHOO5P



-  High-performance refrigeration
-  Digital control system
-  5L pans(GN1/3pan optional)

Model	Material	Dimension(mm)	Net Weight(L)	Volume(L)	Cooling System
whoo3p	ss 201 or 304	360x165x120	28	32.4	Static
wh004p	ss201 or 304	360x165x120	44	55	Static
wh005p	pc	360x165x120	50	62	Static



# Customized Solution

## BORDER COLOR



## UNIQUE DESIGN FRONT OUTLET



## CUSTOMIZED STAINLESS STEEL



## TREATMENT



## PAN OR TUB



## SLIDING DOOR



## MATERIAL



## CUSTOMIZED MARBLE

